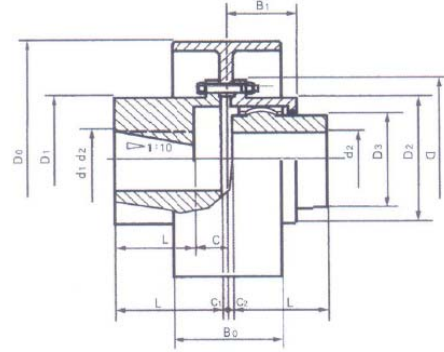


Brake Wheel Gear Coupling (NGCLZ Series)

Description

NGCLZ curved tooth coupling with brake wheel is suitable for connecting two horizontal coaxial lines. The nominal torque is 355 to 100000 N.m.



Parameters

Model	Nominal Torque Tn (N.m)	Limited Rotational Speed [n] (r/min)	Shaft Hole Diameter			Shaft Hole Length			D	C	C1	H	B1	B2	B3	D4	Rotational Inertia (kg·m ²)	Weight (kg)					
			d1	d2	dz	Y	J	Z															
						L																	
NGCLZ1	355	4000	20	22	24	20	22	24	52	38							0.071	7.3					
			25	28		25	28	62	44	103	33	8	2	42	38	68	160	0.072	7.4				
			30	32	35	30	32	35	82	60								0.076	8.4				
NGCLZ2	630	4000	25	28		25	28	62	44								0.081	9.2					
			30	32	35	38	30	32	35	38	82	60	115	39	8	2	48	42	68	160	0.084	10.3	
			40	42	45		40	42			112	84									0.088	10.5	
NGCLZ3	1000	3800	28					62	44								0.181	15.1					
			30	32	35	38	30	32	35	38	82	60	127	39	8	2	49	42	85	200	0.184	16.3	
			40	42	45	48	40	42			112	84									0.193	18.8	
			50	55																			
NGCLZ4	1600	3800	38					82	60								0.225	19.8					
			40	42	45	48	40	42	45	48	112	84	149	46	8	2	53	42	85	200	0.242	23.3	
			50	55	56		50	55															
			60	63	65						142	107											0.296
NGCLZ5	2800	3000	40	42	45	48	45	48	50	55	112	84					0.596	33.3					
			50	55	56		50	55	56														
			60	63	65	70	60	63	65	70	142	107	167	47	9	2.5	58	42	105	250	0.627	39.0	
NGCLZ6	4500	3000	45	48	50	55	45	48	50	55	112	84					0.72	40.0					
			56				56																
			60	63	65	70	60	63	65	70	142	107	167	47	9	2.5	58	42	105	250	0.776	46.4	

			80 85 90		172	132									0.837	53.2
NGCLZ7	6300	2400	50 55 56		112	84									1.178	51.8
			60 63 65 70 71 75	60 63 65 70 71 75	142	107	204	52	9	2.5	63	42	132	315	1.254	59.8
			80 85 90 95	80	172	132									1.384	68.2
			100		212	167									1.479	79.6
NGCLZ8	9000	1900	55 56		112	84									3.734	84.0
			60 63 65 70 71 75	70 71 75	142	107	230	57	12	3	77	47	168	400	3.86	84.0
			80 85 90 95	80 85 90 95	172	132									3.996	104
			100 110		212	167									4.187	117
NGCLZ9	14000	1500	60 63 65 70 71 75	75	142	107									9.43	133
			80 85 90 95	80 85 90 85	172	132	256	64	12	3	80	47	210	500	9.663	146
			100 110 120 125	100 110	212	167									9.997	164
			130		252	202									10.3	182
NGCLZ10	20000	1300	65 70 71 75		142	107									29.32	184
			80 85 90 95	80 85 90 95	172	132									29.69	200
			100 110 120 125	100 110 120	212	167	287	66	15	3.5	90	47	265	630	20.21	222
			130 140 150		252	202									30.74	246
NGCLZ11	31500	1050	70 71 75		142	107									44.0	240
			80 85 90 95	90 95	172	132									45.0	260
			100 110 120 125	100 110 120 125	212	167	325	74	16	3.5	94	47	298	710	45.5	299
			130 140 150	130 140	252	202									46.0	326
			160 170		302	242									47.0	361
NGCLZ12	45000	1050	75		142	107									48.0	290
			80 85 90 95		172	132									49.0	317
			100 110 120 125	100 110 120 125	212	167	362	84	16	4	104	49	298	710	50.0	355
			130 140 150	130 140 150	252	202									51.0	382
			160 170 180	160 170	302	242									52.0	443
			190 200		352	282									53.0	470
NGCLZ13	63000	950	150	150	252	202									93.0	488
			160 170 180	160 170	302	242	412	86	17	4.5	113	49	335	800	85.0	542
			190 200 220		352	282									92.0	598
NGCLZ14	100000	950	170 180	170 180	302	242									95.0	638
			190 500 550	190 200 220	352	282	462	98	18	5.5	157	63	335	800	98.0	698
			240 250		410	330									102	780

